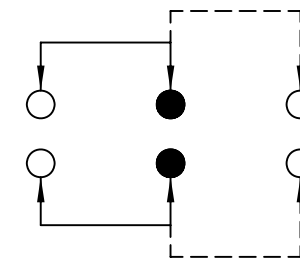
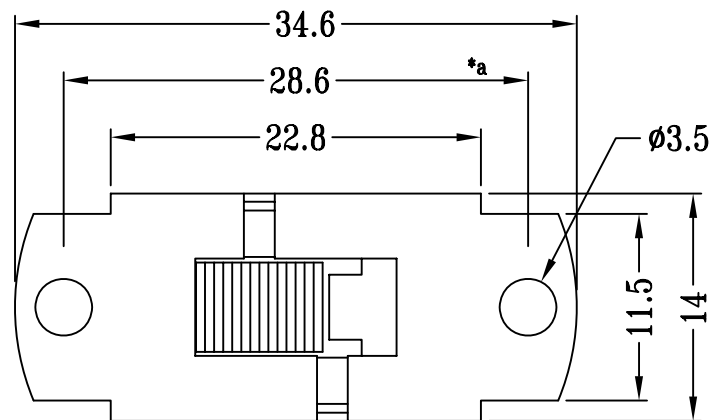
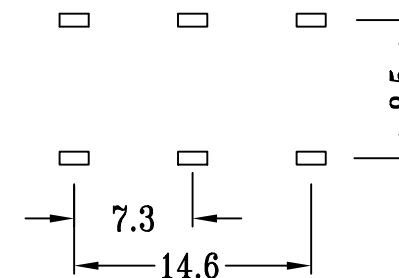
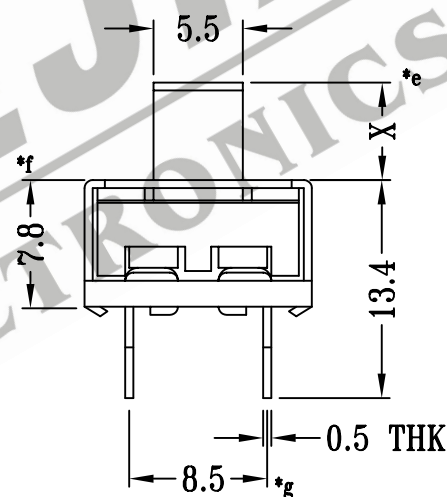
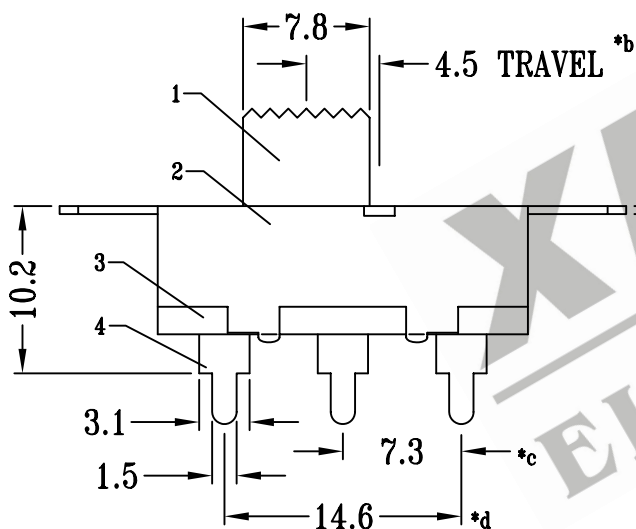




CAD FILE:



SCHEMATIC (NON-SHORTING)



P.C.B LAYOUT

注:带"*"表示关键尺寸(7个)

NO.	PART NAME	MATERIAL	QTY	FINISHING	TOLERANCE UNLESS SPECIFIED	SHENZHEN XIEJIA ELECTRONICS CO.,LTD.					
8											
7	SPRING PLATE	PBS STRIP	1	NATURAL							
6	SPRING PLATE	PBS STRIP	2	NATURAL							
5	CONTACT CLIP	COPPER STRIP	2	Ag PLATED	WITHIN: 1.5±0.1mm OVER : 1.5±0.2mm	ISSUE	DATE	DESCRIPTIONS		APPD	
4	TERMINAL	COPPER STRIP	6	Ag PLATED OVER Ni PLATED		TITLE: VERTICAL SLIDE SWITCH		UNIT : MM	DRWG NO.: XJ-DR-SS22113-00		
3	TERMINAL BASE	PHENOLIC RESIN	1	BLACK		MODEL: SS-22113		SCALE: 2:1	DWN	ZHOUYU	2005-5-13
2	FRAME	STEEL STRIP	1	Zn PLATED					CHK'D	FANGYING	2005-5-13
1	NOB	PC	1	BLACK					APPD	KANGXINAN	2005-5-13
					ALL MATERIALS MUST BE COMPLIANT TO ROHS						